

KStrong® Kapture™ Essential 3-Point Full Body Harness, Dorsal D-Ring, TB Legs (ANSI)

KStrong® Kapture™ Essential 3-Point Adjust Lightweight Full Body Harness with One (1) Dorsal D-Ring and Tongue Buckle Closures (ANSI)

MODEL	SIZE	WEIGHT
UFH10101G(S-L)	Small to Large	2.81 lbs. ± 0.02 lbs. (1275 gm ± 10 gm)
UFH10101G(L-XL)	Large to X-Large	2.90 lbs. ± 0.02 lbs. (1315 gm ± 10 gm)

DESIGN

- One dorsal attachment D-ring for fall arrest.
- Adjustable grommeted leg straps.

WEBBING

Material: Polyester
Width: 1.73 in. ± 0.04 in. (44mm ± 1mm)
Breaking Strength: 5000 lbs.

STITCHING THREAD

Material: High-tenacity polyester

METAL COMPONENT

Material: Alloy Steel
Finish: Silver or Golden Yellow Galvanized

CAPACITY RANGE

ANSI: 130 - 310 lbs.; OSHA: 420 lbs.

RELEVANT STANDARDS

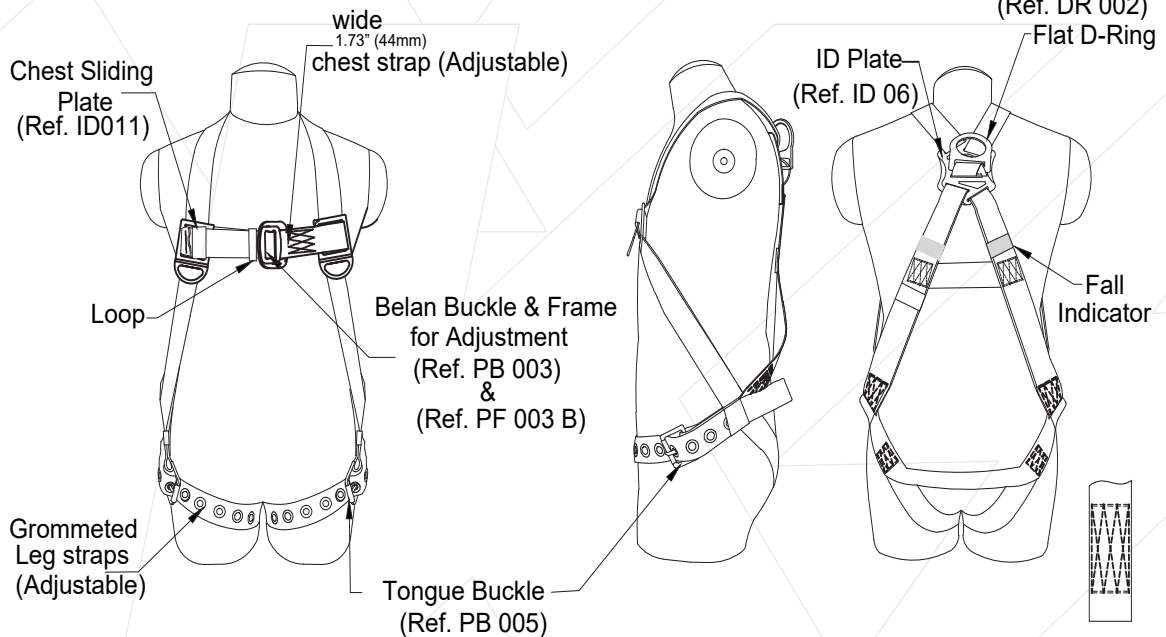
Meets or Exceeds ANSI Z359.11-2014



FRONT VIEW

SIDE VIEW

BACK VIEW



Meets or Exceeds ANSI Z359.11-2014

KStrong® Hinged Reusable Steel Roof Anchor (ANSI)

Model: UFA30001

KStrong® hinged reusable galvanized steel roof anchor with D-Ring and powder coated (ANSI)

DESIGN

- An ideal anchorage device to be fixed on wooden beams used in roofing.
- Consists of two steel flaps each having 16 holes which can be fitted on the two sides of a wooden beam by means of nails inserted in the holes.
- The D-Ring can be safely used as an anchorage point.

CABLE

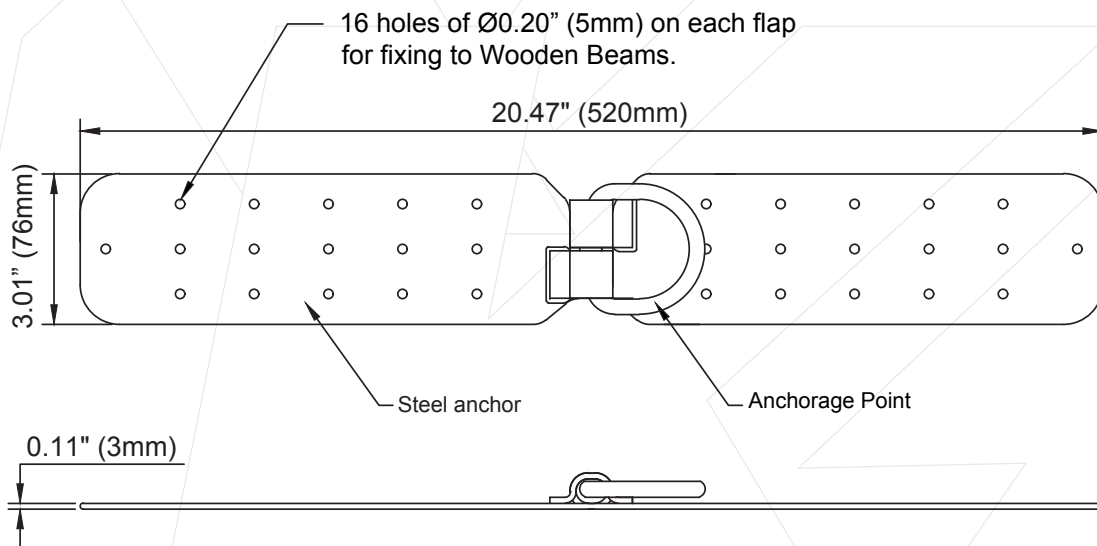
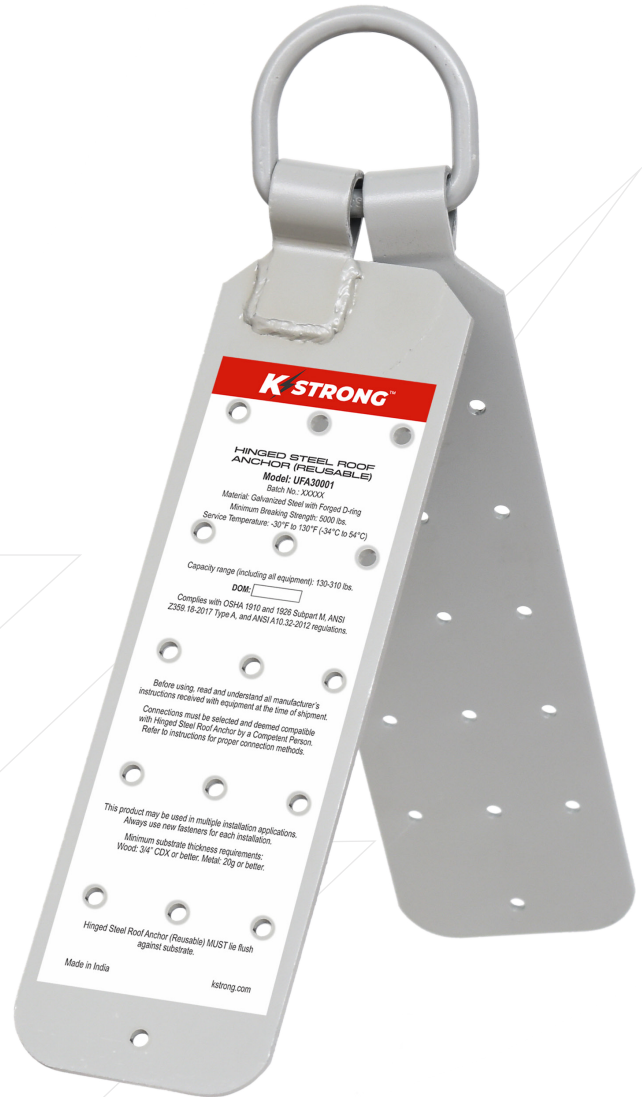
Material: High Strength Alloy Steel
 Minimum Breaking Strength: 5000 lbs.
 Finish: Power Coated or Zinc Plated

WEIGHT

2.39 lbs. ± 0.22 lbs. (1084 gm ± 100 gm)

RELEVANT STANDARDS

Meets or Exceeds ANSI Z359.18-2017



Meets or Exceeds ANSI Z359.18-2017

KStrong® 25 ft. Vertical Rope Lifeline, Locking Snap hook on anchor end, other end cut and taped

Model: UFR100025

KStrong® 25 ft. Vertical 5/8" Diameter Polysteel Rope Lifeline, Locking Snap hook on anchor end, other end cut and taped (ANSI)

DESIGN

- This lifeline is made up of high strength Polysteel Twisted rope
- The diameter of the rope is 5/8"
- It is provided with snap hook (PN 146) spliced at one end and the other side a stop knot

LENGTH

25 ft.

MATERIAL

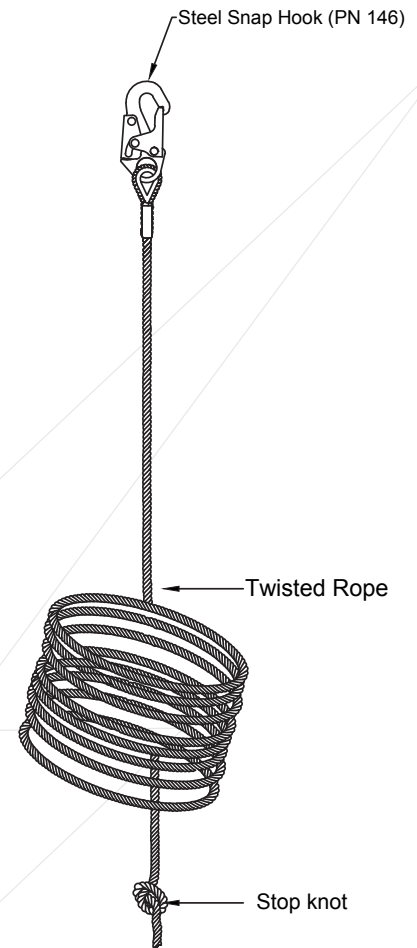
Polysteel

WEIGHT

3.23 lbs. ± 0.02 lbs. (1465 gm. ± 10 gm)

RELEVANT STANDARDS

Meets or Exceeds ANSI Z359.1-2007



Meets or Exceeds ANSI Z359.1-2007

KStrong® 3 ft. Manual Shock Absorbing Rope Grab Assembly (ANSI)

Model: UFG611020

KStrong® 3 ft. Manual Shock Absorbing Rope Grab Assembly for 5/8" Diameter Approved Rope Vertical Lifelines. One (1) snap hook on end connecting to harness, other end having manual rope grab (ANSI)

DESIGN

- Connected with shock pack and has snap hook as attachment.
- 1.73" (44mm) wide tear webbing for energy absorption.
- 1.73" (44mm) wide polyester webbing as backup strap and stitched around the free end of tear webbing to form loops for attachment. The entire assembly folded and packed in thick Polyethylene sleeve with synthetic labels.
- Rope Grab is used for rope access.

WEBBING

Material: Polyester.
Width: 1.73" \pm 0.04" (44 \pm 1 mm)
Breaking strength: 5000 lbs. (Min)

STITCHING THREAD

Material: High Tenacity Polyester.

METAL COMPONENTS

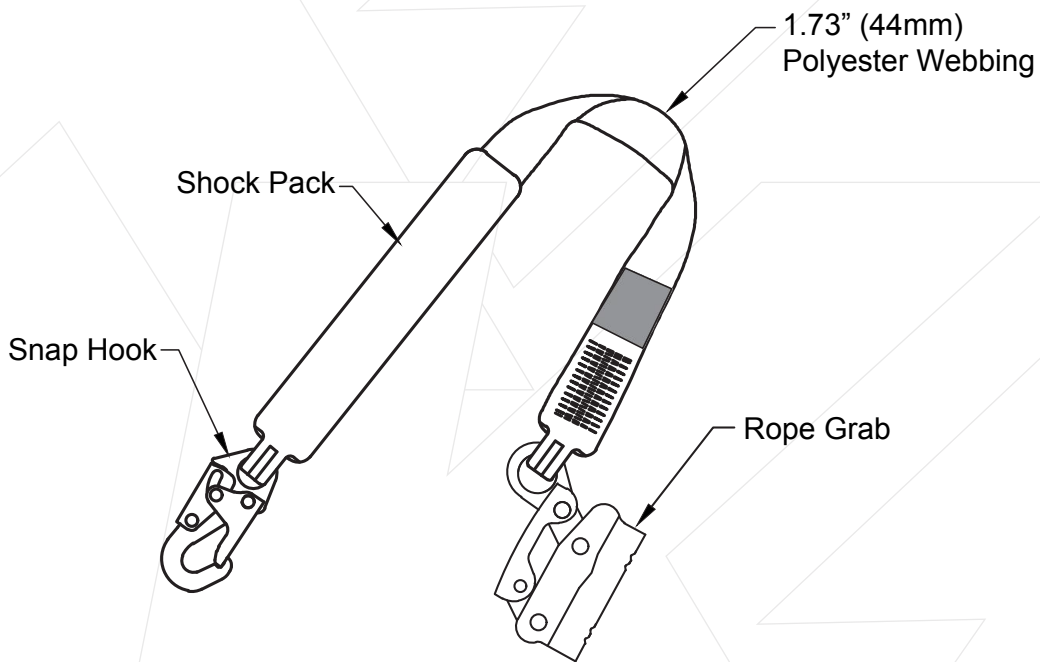
Material: Alloy Steel
Finish: Silver or Gold Yellow Galvanized

WEIGHT

2.69 lbs. \pm 0.02 lbs. (1220 gm \pm 10 gm)

RELEVANT STANDARDS

Meets or Exceeds ANSI Z359.1-2007



Meets or Exceeds ANSI Z359.1-2007

Length: 3 Feet