



The Ultimate in Fall Protection

# ADVANCED CORE MOUNT SLEEVES

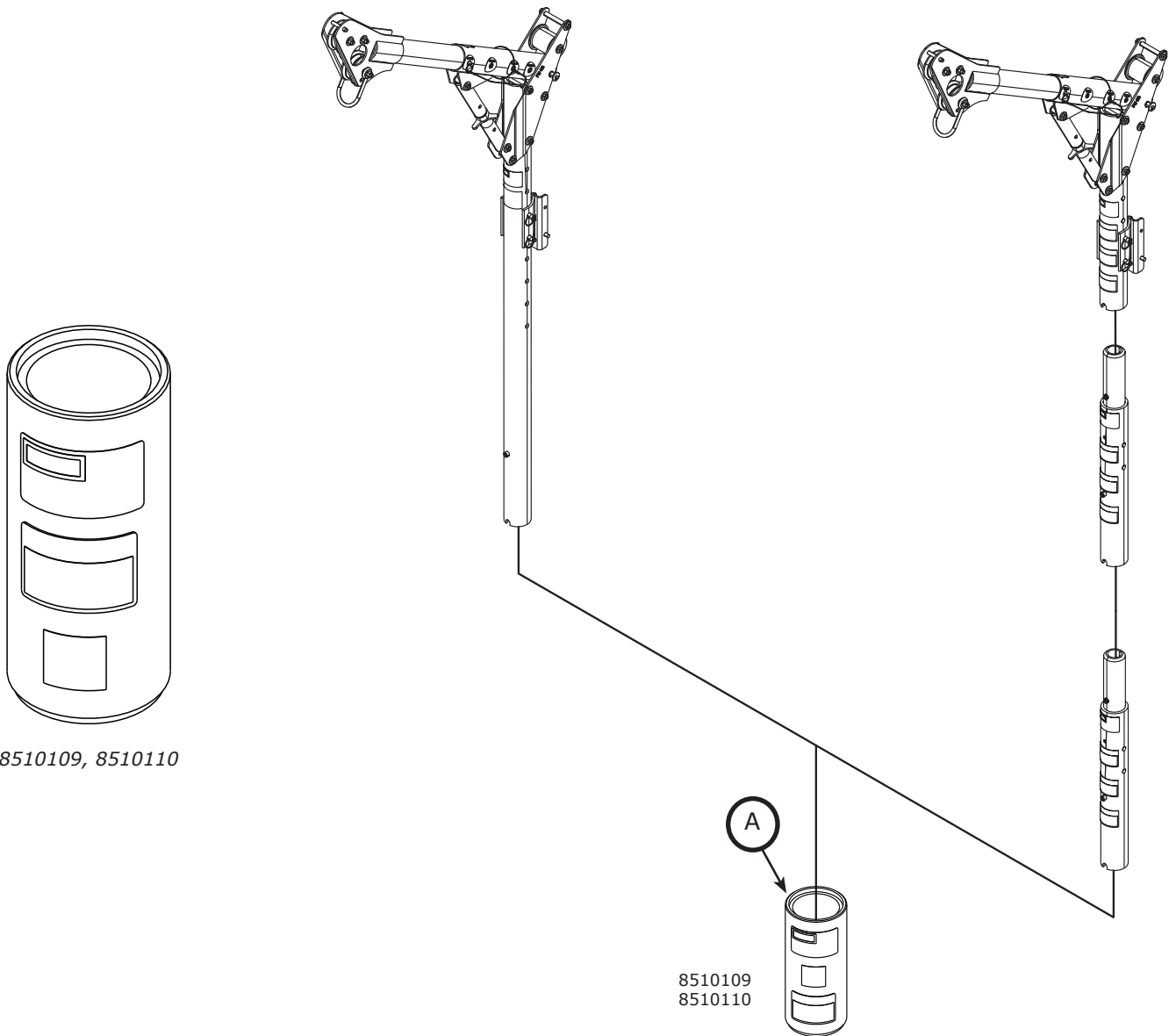
Model Numbers: 8510109, 8510110

## INSTRUCTION MANUAL

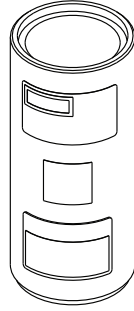
### ANSI Z359.1

This manual is intended to meet the Manufacturer's Instructions as required by ANSI Z359.1 and should be used as part of an employee training program as required by OSHA

Figure 1 - 8510109, 8510110



# 1. SPECIFICATIONS



## DESCRIPTION:

The DBI-SALA Bases are designed for mounting to horizontal concrete or steel structures.

**A** THESE BASES ARE ONLY COMPATIBLE WITH DBI SALA ADVANCED DAVIT MASTS AND EXTENSIONS.

**IMPORTANT:** All connecting systems, (self retracting lifelines, winches and energy absorbing lanyards) used with the davit arm and base system shall limit the arresting forces to 6 kN.

### GENERAL SPECIFICATIONS - MODEL 8510109:

Rated Capacity (working load) 450lbs (205 kgs)  
(@ Minimum 4:1)  
Vertical Load 5000lbs (2267.9 kgs)

### MATERIALS & CONSTRUCTION:

General Construction Welded Steel  
Material Mild Steel  
Finish (Steel) Zinc Plated  
Plating Specification ASTM Designation B633-85, Type III, SC2

### APPLICATION RESTRICTIONS:

For use with Capital Safety Systems products & accessories only.

Each installation must be approved to local standards by a qualified engineer

If base material does not meet the minimum requirements, reinforcement must be added to meet the minimum requirements.

### GENERAL SPECIFICATIONS - MODEL 8510110

Rated Capacity (working load) 450lbs (205 kgs)  
(@ Minimum 4:1)  
Vertical Load 5000lbs (2267.9 kgs)

### MATERIALS & CONSTRUCTION:

General Construction Stainless Steel  
Material 304 SS  
Finish (Stainless Steel) Brush Blast  
Plating Specification None

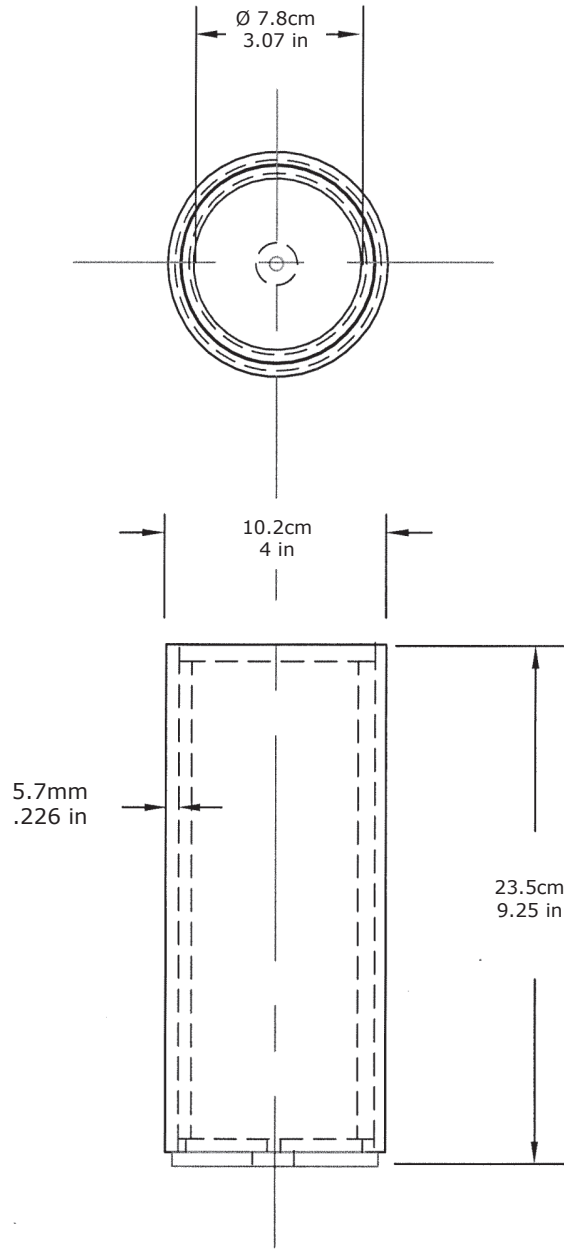
### APPLICATION RESTRICTIONS:

For use with Capital Safety Systems products & accessories only.

Each installation must be approved to local standards by a qualified engineer.

If base material does not meet the minimum requirements, reinforcement must be added to meet the minimum requirements.

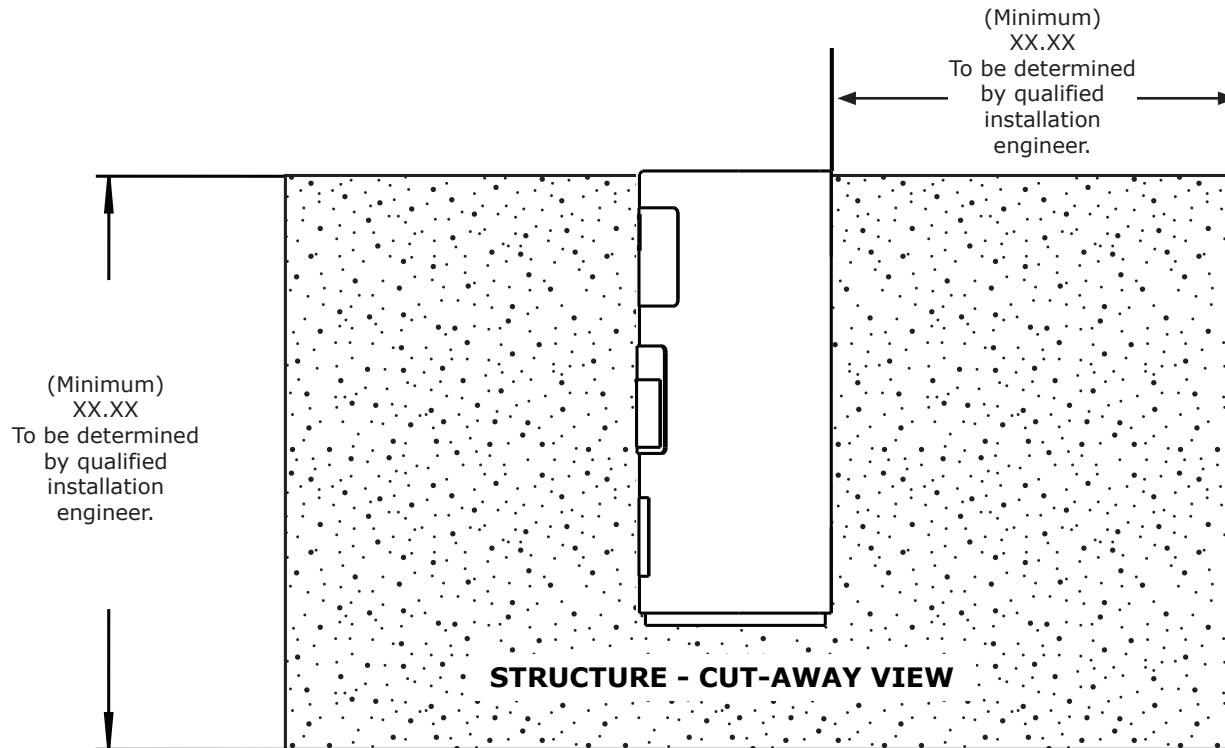
**Figure 2 – Base Dimensions**



## 2. MOUNTING REQUIREMENT MINIMUMS

**Table 1 – Mounting Requirement Minimums**

	<b>73.6cm (29 inches) Offset</b>	<b>122cm (48 inches) Offset</b>
<b>Moment Load Per Structure</b>	87,000 in*lbs (9.8 kN*m)	86,400 in*lbs (9.7 kN*m)
<b>Vertical Load Per Structure</b>	5000lbs (22.2 kN)	1800 lbs (8kN)



**NOTE:** These numbers are based on a safety factor of 2:1. Refer to the fastener manufacturer specifications for fastener safety factors. Captital Safety recommends maintaining at least a safety factor of 2:1. Multiple safety factors must be taken into account when determining fasteners.

**NOTE:** Concrete **MUST BE** sufficiently thick or have sufficient underlying structure to support the 2268 kg (5000 lbs) vertical load requirement specified previously.

**WARNING:** Failure to follow *Mounting Requirement Minimums* and *Installation* instructions may lead to severe injury and/or death.

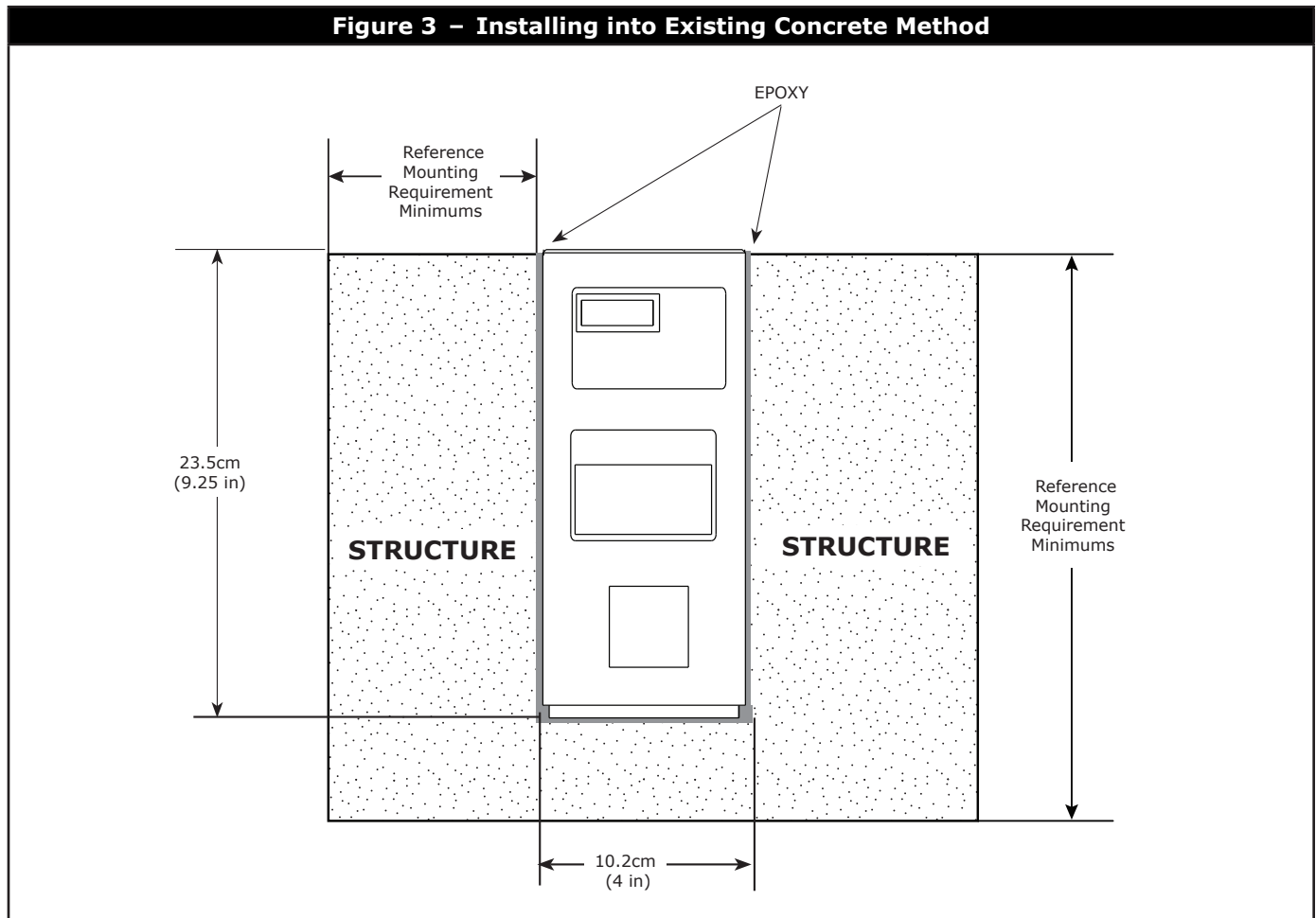
### 3. INSTALLATION

**WARNING:** It is imperative that the base be installed perpendicular to the ground. Severe injury and/or death may result if the base is installed incorrectly. If there are any questions pertaining to the installation or the base in general, contact Capital Safety.

1. Drill a  $\varnothing$  10.2cm (4 inch) hole, that is 23.5cm (9.25 in) deep into mounting structure. Ensure hole is deep enough to allow a flush mounted install. Remove debris from hole and inject epoxy into hole.

**NOTE:** Ensure that no epoxy ingresses into sleeve opening during install. Capital Safety recommends using Rock River® All Weather 400 Epoxy (Part# 0269002, 9.3 oz tube) or equivalent to anchor base. The base should be flush mounted.

2. Remove excess epoxy and allow remaining epoxy to setup prior to use.
3. A *qualified engineer* must verify the structural installation meets local and federal regulations.



**NOTE:** Installing this base into steel structure requires the use of gussets, which must be welded into place in order to secure the base. Refer to *Table 1 - Mounting Requirement Minimums*. A *qualified engineer* must approve this installation and verify the structural installation meets local and federal regulations.

**NOTE:** Installer must refer to *Table 1 - Mounting Requirement Minimums* when employing the 'Pour in Place Method'. A *qualified engineer* must approve this installation and verify the structural installation meets local and federal regulations.

**IMPORTANT:** Capital Safety recommends installing Sleeve Caps when base is not in use. These Caps will reduce the chances of the base becoming a tripping hazard and also prevent it from collecting debris.

- [Steel] Sleeve Cap Model 8510826 should be used with [Steel] Sleeve Model 8510109.
- [Stainless Steel] Sleeve Cap Model 8510827 should be used with [Stainless Steel] Sleeve Model 8510110.

#### 4. DAVIT BASE INSPECTION:

##### BEFORE EACH USE:

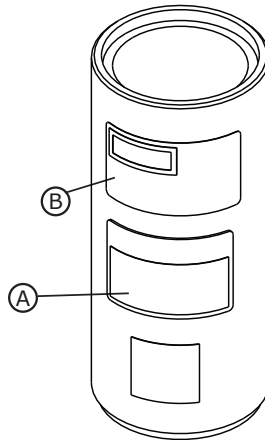
**IMPORTANT:** Extreme working conditions (harsh environments, prolonged use) may require increasing the frequency of inspections.

**WARNING:** If the base has been subjected to fall arrest forces, it must be immediately removed from service and inspected. If the floor mount base fails inspection, remove from service and destroy, or contact Capital Safety for repair or replacement.

**Table 2 – Inspection and Maintenance Log**

<b>Serial Number(s):</b>		<b>Date Purchased:</b>	
<b>Model Number:</b>		<b>Date of First Use:</b>	
<b>Inspected By:</b>		<b>Inspection Date:</b>	
<b>Component:</b>	<b>Inspection:</b>	<b>Authorized Person or Rescuer</b>	<b>Competent Person</b>
<b>Davit Base</b>	Ensure all bolts are secure and not damaged.	<input type="checkbox"/>	<input type="checkbox"/>
	Base should be inspected directly after installation and at same intervals as the arresting system for similar defects and/or unsafe conditions.	<input type="checkbox"/>	<input type="checkbox"/>
	All labels must be present and fully legible.	<input type="checkbox"/>	<input type="checkbox"/>
	If inspection reveals an unsafe or defective condition, remove the base from service and destroy, or contact Capital Safety for repair or replacement.	<input type="checkbox"/>	<input type="checkbox"/>
	Look for signs of corrosion on the entire unit.	<input type="checkbox"/>	<input type="checkbox"/>
<b>Corrective Action/Maintenance:</b>		Approved By:	
		Date:	
<b>Corrective Action/Maintenance:</b>		Approved By:	
		Date:	
<b>Corrective Action/Maintenance:</b>		Approved By:	
		Date:	
<b>Corrective Action/Maintenance:</b>		Approved By:	
		Date:	
<b>Corrective Action/Maintenance:</b>		Approved By:	
		Date:	
<b>Corrective Action/Maintenance:</b>		Approved By:	
		Date:	
<b>Corrective Action/Maintenance:</b>		Approved By:	
		Date:	
<b>Corrective Action/Maintenance:</b>		Approved By:	
		Date:	
<b>Corrective Action/Maintenance:</b>		Approved By:	
		Date:	
<b>Corrective Action/Maintenance:</b>		Approved By:	
		Date:	
<b>Corrective Action/Maintenance:</b>		Approved By:	
		Date:	

**5. DAVIT BASE LABELS**



**WARNING**

**AVERTISSEMENT**

8513219 Rev. B

This component is rated for a working load of 450 lb. (205 kg). Retractable devices or shock absorbers must have a **MAXIMUM ARRESTING FORCE (M.A.F.) RATING OF 900 lb. (4kN) OR LESS.** System rating is that of the lowest rated system component.

Cet élément est conçu pour une charge de travail de 205 kg (450 lb). Des systèmes rétractables ou des amortisseurs de choc doivent avoir une **FORCE D'ARRÊT MAXIMALE (Maximum Arrest Force, M.A.F.) NOMINALE DE 4 kN (900 lb) OU MOINS.** La classification d'un système correspond à la classification du composant de la plus basse catégorie dans le système.

(A)

9504547 Rev. H

[www.capitalsafety.com](http://www.capitalsafety.com)

Capital Safety

Red Wing, MN, USA

+1-800-328-6146

SERIAL NO.: **XXXXXX**

Numéro de série: **XXXXXX**

MFRD(Y/M):	LOT NO.:	MODEL NO.:	LENGTH (FT):
Fabriqué(a/ m)	Numéro de lot:	Numéro du modèle:	Longueur(m):

(B)

## LIMITED LIFETIME WARRANTY

**Warranty to End User:** D B Industries, LLC dba CAPITAL SAFETY USA ("CAPITAL SAFETY") warrants to the original end user ("End User") that its products are free from defects in materials and workmanship under normal use and service. This warranty extends for the lifetime of the product from the date the product is purchased by the End User, in new and unused condition, from a CAPITAL SAFETY authorized distributor. CAPITAL SAFETY'S entire liability to End User and End User's exclusive remedy under this warranty is limited to the repair or replacement in kind of any defective product within its lifetime (as CAPITAL SAFETY in its sole discretion determines and deems appropriate). No oral or written information or advice given by CAPITAL SAFETY, its distributors, directors, officers, agents or employees shall create any different or additional warranties or in any way increase the scope of this warranty. CAPITAL SAFETY will not accept liability for defects that are the result of product abuse, misuse, alteration or modification, or for defects that are due to a failure to install, maintain, or use the product in accordance with the manufacturer's instructions.

CAPITAL SAFETY'S WARRANTY APPLIES ONLY TO THE END USER. THIS WARRANTY IS THE ONLY WARRANTY APPLICABLE TO OUR PRODUCTS AND IS IN LIEU OF ALL OTHER WARRANTIES AND LIABILITIES, EXPRESSED OR IMPLIED. CAPITAL SAFETY EXPRESSLY EXCLUDES AND DISCLAIMS ANY IMPLIED WARRANTIES OF MERCHANTABILITY OR FITNESS FOR A PARTICULAR PURPOSE, AND SHALL NOT BE LIABLE FOR INCIDENTAL, PUNITIVE OR CONSEQUENTIAL DAMAGES OF ANY NATURE, INCLUDING WITHOUT LIMITATION, LOST PROFITS, REVENUES, OR PRODUCTIVITY, OR FOR BODILY INJURY OR DEATH OR LOSS OR DAMAGE TO PROPERTY, UNDER ANY THEORY OF LIABILITY, INCLUDING WITHOUT LIMITATION, CONTRACT, WARRANTY, STRICT LIABILITY, TORT (INCLUDING NEGLIGENCE) OR OTHER LEGAL OR EQUITABLE THEORY.



Global Leader in Fall Protection

### USA

3833 SALA Way  
Red Wing, MN 55066-5005  
Toll Free: 800.328.6146  
Phone: 651.388.8282  
Fax: 651.388.5065  
solutions@capitalsafety.com

### Brazil

Rua Anne Frank, 2621  
Boqueirão Curitiba PR  
81650-020  
Brazil  
Phone: 0800-942-2300  
brasil@capitalsafety.com

### Mexico

Calle Norte 35, 895-E  
Col. Industrial Vallejo  
C.P. 02300 Azcapotzalco  
Mexico D.F.  
Phone: (55) 57194820  
mexico@capitalsafety.com

### Colombia

Compañía Latinoamericana de Seguridad S.A.S.  
Carrera 106 #15-25 Interior 105 Manzana 15  
Zona Franca - Bogotá, Colombia  
Phone: 57 1 6014777  
servicioalcliente@capitalsafety.com

### Canada

260 Export Boulevard  
Mississauga, ON L5S 1Y9  
Phone: 905.795.9333  
Toll-Free: 800.387.7484  
Fax: 888.387.7484  
info.ca@capitalsafety.com

### EMEA (Europe, Middle East, Africa)

*EMEA Headquarters:*  
5a Merse Road  
North Moons Moat  
Redditch, Worcestershire  
B98 9HL UK  
Phone: + 44 (0)1527 548 000  
Fax: + 44 (0)1527 591 000  
csgne@capitalsafety.com

### France:

Le Broc Center  
Z.I. 1re Avenue - BP15  
06511 Carros Le Broc Cedex  
France  
Phone: + 33 04 97 10 00 10  
Fax: + 33 04 93 08 79 70  
information@capitalsafety.com

### Australia & New Zealand

95 Derby Street  
Silverwater  
Sydney NSW 2128  
Australia  
Phone: +(61) 2 8753 7600  
Toll-Free : 1800 245 002 (AUS)  
Toll-Free : 0800 212 505 (NZ)  
Fax: +(61) 2 8753 7603  
sales@capitalsafety.com.au

### Asia

*Singapore:*  
69, Ubi Road 1, #05-20  
Oxley Bizhub  
Singapore 408731  
Phone: +65 - 65587758  
Fax: +65 - 65587058  
inquiry@capitalsafety.com

### Shanghai:

Rm 1406, China Venturetech Plaza  
819 Nan Jing Xi Rd,  
Shanghai 200041, P R China  
Phone: +86 21 62539050  
Fax: +86 21 62539060  
inquiry@capitalsafety.cn

[www.capitalsafety.com](http://www.capitalsafety.com)

