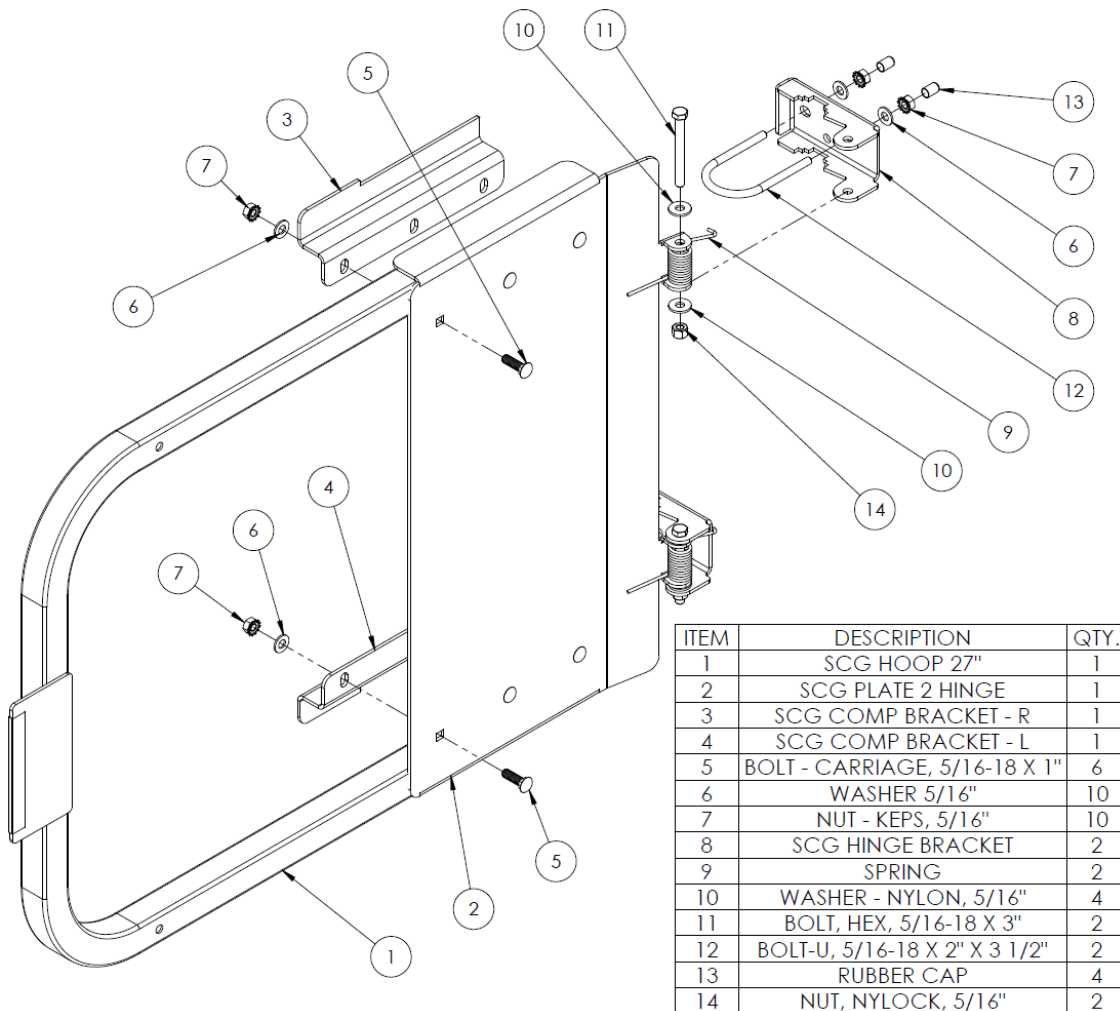


Installations may vary. Proper installation to a structure that can support the gate load is required.

Always verify the completed installation for adequate performance.

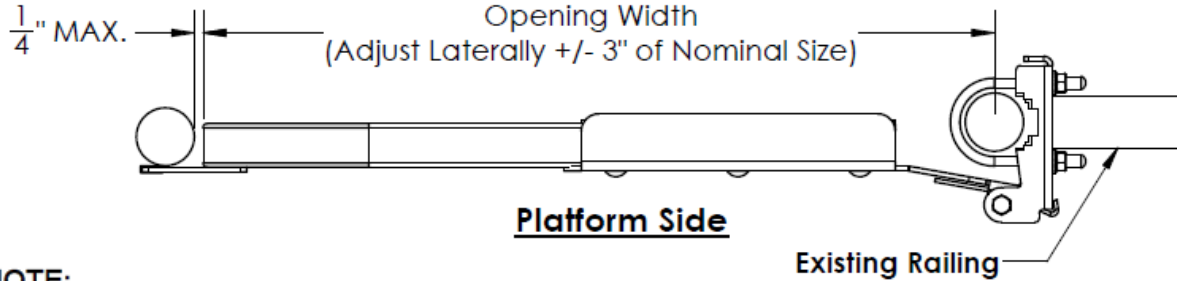
**OSHA 29CFR 1910.28 (a)(2)** Every ladder way, floor opening or platform shall be guarded by a standard railing with standard toe board on all exposed sides (except at entrance to opening), with the passage through the railing either provided with a swinging gate or so offset that a person cannot walk directly into the opening



ITEM	DESCRIPTION	QTY.
1	SCG HOOP 27"	1
2	SCG PLATE 2 HINGE	1
3	SCG COMP BRACKET - R	1
4	SCG COMP BRACKET - L	1
5	BOLT - CARRIAGE, 5/16-18 X 1"	6
6	WASHER 5/16"	10
7	NUT - KEPS, 5/16"	10
8	SCG HINGE BRACKET	2
9	SPRING	2
10	WASHER - NYLON, 5/16"	4
11	BOLT, HEX, 5/16-18 X 3"	2
12	BOLT-U, 5/16-18 X 2" X 3 1/2"	2
13	RUBBER CAP	4
14	NUT, NYLOCK, 5/16"	2

1. Lightly attach the hinge brackets to the vertical upright of the railing with U-Bolts (Special applications: contact BlueWater Mfg. for compression adapter kits for large diameter, flat bar, and angle iron posts). Additional adjustments may be necessary. Do not tighten the nuts at this stage of the installation.
2. Slide the gate into position so the top of the gate matches the top of the railing. Align the hinge bracket to be perpendicular to the gate and opening.
3. Loosen the compression brackets and slide the gate to the required opening width. Ensure that the stop plate overlaps and contacts the adjacent upright of the railing, allowing a 1/4" maximum clearance. Retighten the compression clamps.
4. Tighten the hardware on the U-bolts to 14 ft. / lbs. of torque.

**Standard Installation - Railings up to 2" Round**  
(Large dia. post adaptor kits available - Contact BlueWater Mfg. )

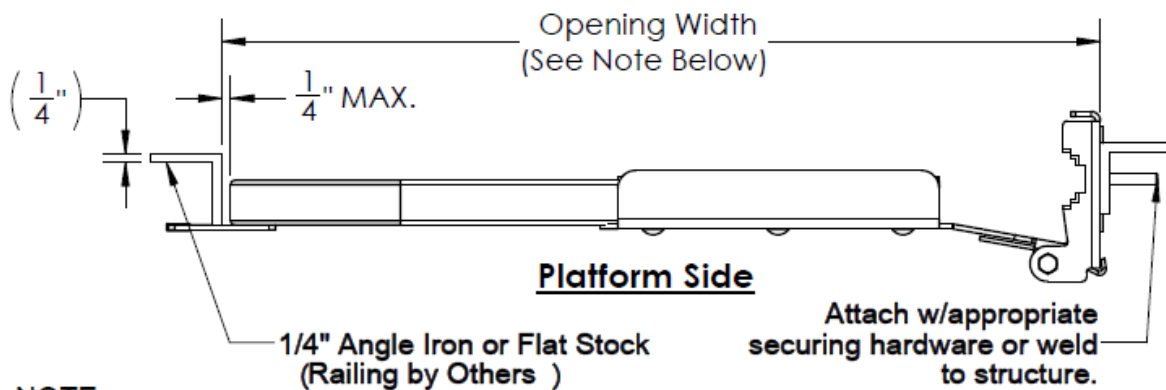


**NOTE:**

Contact BlueWater Mfg. for special installations or modifications.

Always field verify completed installation for adequate performance.

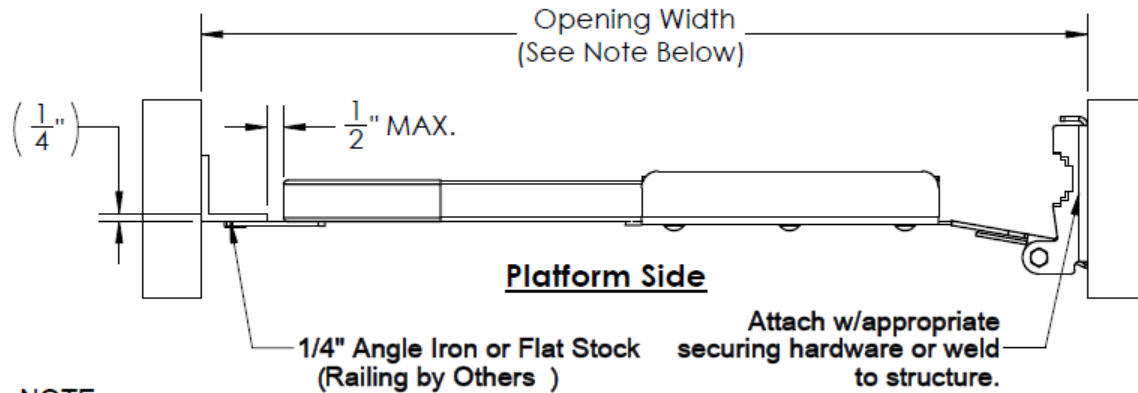
**Installation for Angle Iron/ Flat Stock Railing**  
(Compression adaptor kits available - Contact BlueWater Mfg. )



**NOTE:**

For inside face mount, subtract 2-1/2" from opening size and choose the correct gate size based on that measurement.

## Installing on Wall/ Flat Surface



**NOTE:**

For inside face mount, subtract 2-1/2" from opening size and choose the correct gate size based on that measurement.

## ANNUAL INSPECTION PROCEDURE

- VERIFY THAT ALL FASTENERS ARE TIGHTENED.
  - REPLACE ANY MISSING FASTENERS.
- REPLACE IF THERE IS ANY DAMAGE TO THE GATE.