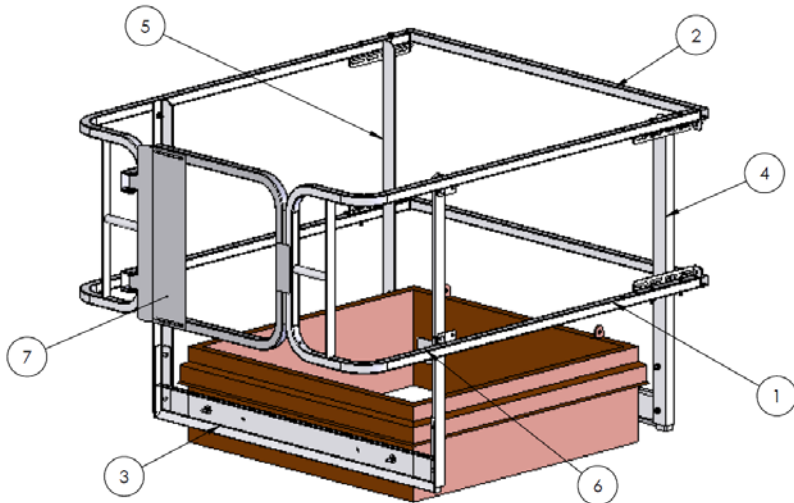
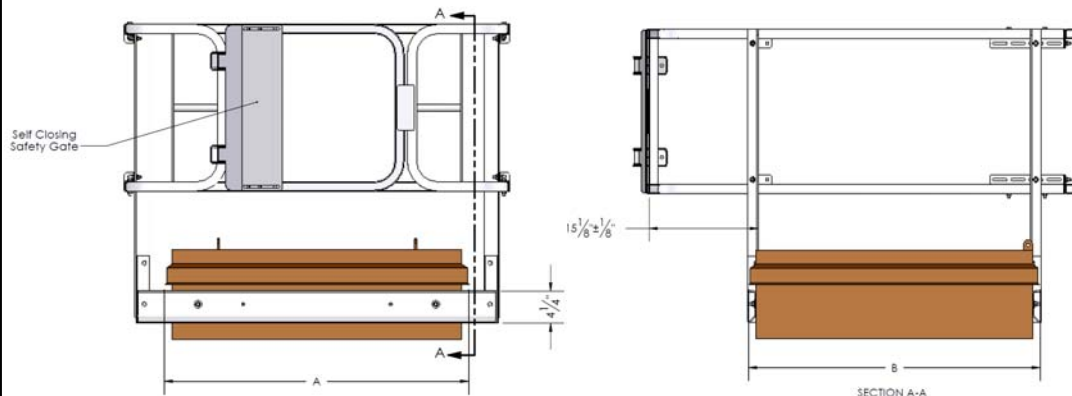


HATCH SAFE® MEASURING GUIDE & ORDER FORM



ITEM NO.	DESCRIPTION	QTY
1	Side Rail with Grips	2
2	Back Rail	2
3	Curb Assembly	2
4	"Right" Vertical Post	2
5	"Left" Vertical Post	2
6	3" Square Crush Plate	4
7	Self Closing Safety Gate	1

QUOTATION REQUESTED HATCHSAFE® ORDER

SOLD/QUOTE TO:

Name:	
Company:	
Address:	
City, State, Zip:	
Phone:	Fax:
E-Mail:	

SHIP TO:

Name:	Date:
Address:	P.O. #:
City, State, Zip	TAG:
Phone:	SHIP VIA:

Location:

Quantity	ITEM #	DESCRIPTION	Fits Curb Ranges:	
			A Range	B Range
	HSF-775-GAL	HatchSAFE®	25-1/2" ▶ 43-1/2"	25-1/4" ▶ 41"
	HSF-780-GAL	HatchSAFE®	33-1/2" ▶ 55-1/2"	37-1/4" ▶ 53"
	HSF-785-GAL	HatchSAFE®	43-1/4" ▶ 59"	43-1/4" ▶ 59"
	HSF-790-GAL	HatchSAFE®	85-1/4" ▶ 101"	85-1/4" ▶ 101"
	Custom	HatchSAFE®	Consult Factory	

Custom Dimensions:

Dimension A

Dimension B

Notes:

DRAWINGS FOR APPROVAL

If "NO" Approval Drawings are requested, the Name of the person "Declining" approval drawings must be shown below.

- Yes
 No

Name

Date